

## Premium Preparation 1200 mm Worktop Cupboard with Upstand

ITEM # \_\_\_\_\_

MODEL # \_\_\_\_\_

NAME # \_\_\_\_\_

SIS # \_\_\_\_\_

AIA # \_\_\_\_\_

**133080 (TN1210EN)**Worktop cupboard, with  
100mm upstand, 1 shelf and 2  
sliding doors, (4 feet),  
1200mm

### Short Form Specification

**Item No.** \_\_\_\_\_

The 50mm high worktop in 304 AISI stainless steel, 1,5mm in thickness, is sound-deadened and has anti-drip edges and welded corners. Inner welded frame in stainless steel. Under-top reinforcement in 304 AISI s/s. Integral rear upstand, h=100mm, with 10mm radius. Intermediate reinforced shelf in 304 AISI s/s that can be positioned at three different heights. Base shelf in 304 AISI s/s, 1mm in thickness, reinforced by 1,5mm support bars in AISI 304 s/s. Two sound-deadened sliding doors in 304 AISI s/s. Welded construction for maximum strength. Four 2"-feet in 304 AISI stainless steel, h=200mm, adjustable in height (-50+20mm).

### Main Features

- Worktop cupboard can be mounted on 125 mm diameter castors (2 with brakes) using the optional accessory kit.
- Handles in stainless steel for better hygiene and reliability.
- Sturdiness, stability and reliability of table accurately tested.

### Construction

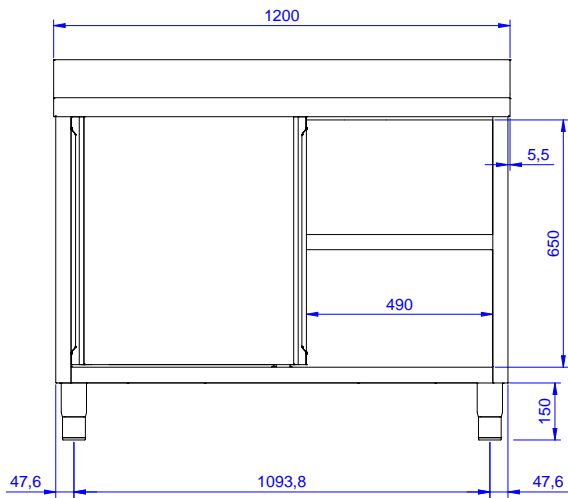
- Inner welded frame in stainless steel to guarantee superior strength and stability.
- Base panel has 40mm high profile, is 8/10 in thickness with upturned edges and bar reinforcement. It is welded to legs for further structure reinforcement.
- Base panel in AISI 304 stainless steel, 10/10 in thickness reinforced by 15/10 support bars in AISI 304.
- 100 mm upstand with 10 mm radiused corner and 13 mm deep, designed to be used against a wall.
- Intermediate shelf in stainless steel with riveted corners and trasversal reinforcement in stainless steel.
- Upstand back completely covered with Stainless Steel welded profile.
- Heavy duty construction entirely in AISI 304 stainless steel to offer maximum durability.
- 304 AISI stainless steel feet, 150 mm high and 54 mm in diameter, adjustable by -35/+25 mm.

### Optional Accessories

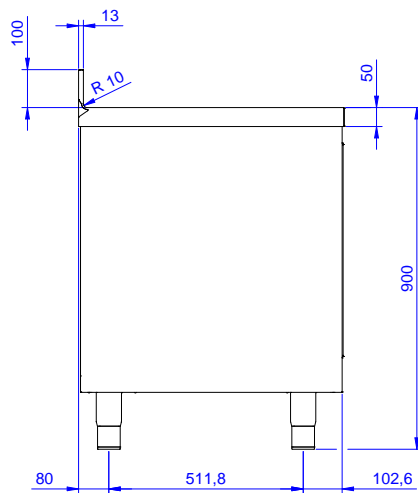
- Overshelf, neutral, one tier, 1200 mm PNC 132965
- Overshelf, with led light and ceramic light, one tier, 1200mm PNC 132989
- Wheel kit for cupboards, 4 wheels (2 with brakes), D=1000 mm PNC 855299

**APPROVAL:** \_\_\_\_\_

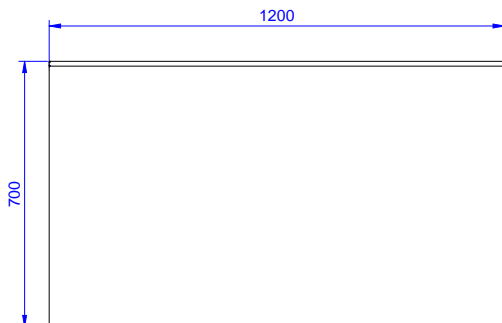
**Front**



**Side**



**Top**



**Key Information:**

|                                     |           |
|-------------------------------------|-----------|
| <b>Cabinet width:</b>               |           |
| <b>133080 (TN1210EN)</b>            | 1145 mm   |
| <b>Cabinet depth:</b>               | 645 mm    |
| <b>Cabinet height:</b>              | 610 mm    |
| <b>External dimensions, Width:</b>  | 1200 mm   |
| <b>External dimensions, Depth:</b>  | 700 mm    |
| <b>External dimensions, Height:</b> | 1000 mm   |
| <b>Upstand Dimensions, Height:</b>  | 100 mm    |
| <b>Upstand Dimensions, Depth:</b>   | 13 mm     |
| <b>Upstand Dimensions, Radius:</b>  | R=10      |
| <b>Number and type of doors:</b>    | 2 Sliding |
| <b>Worktop thickness:</b>           | 50 mm     |
| <b>Net weight:</b>                  | 55 kg     |